

# Lab 4

## Common-Base Characteristics

Jeff Morrison

## Objective

- Construct a set of common-base input and output characteristic curves based on lab measurements.

## Results

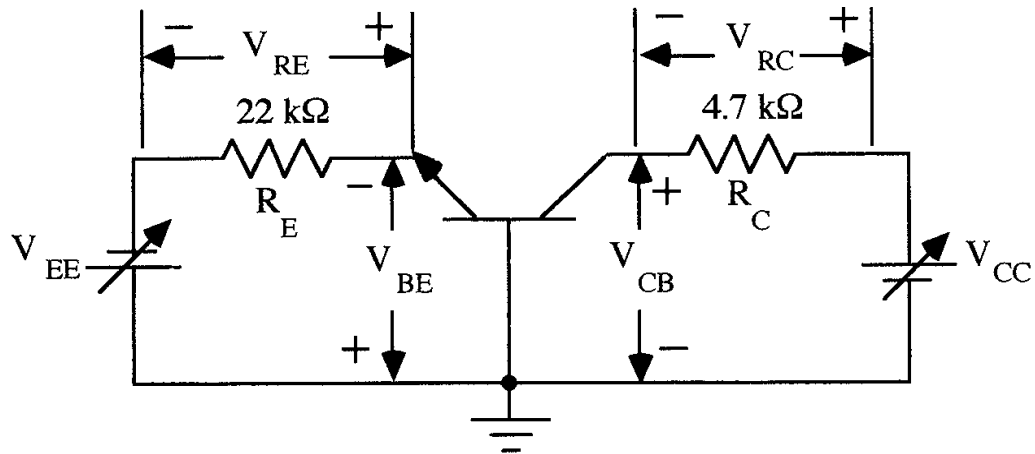


Figure 3

Table 1

<b>V<sub>be</sub></b>	<b>V<sub>cb</sub> = 5V</b>		<b>V<sub>cb</sub> = 15V</b>		<b>V<sub>cb</sub> = 25V</b>	
	<b>V<sub>re</sub></b>	<b>I</b>	<b>V<sub>re</sub></b>	<b>I</b>	<b>V<sub>re</sub></b>	<b>I</b>
<b>0V</b>	0V	0A	0V	0A	0V	0A
<b>.2V</b>	.02mV	.9nA	.01mV	.5nA	0V	0A
<b>.4V</b>	.3mV	13.6nA	.22mV	.01uA	.23mV	10.5nA
<b>.5V</b>	13.7mV	.622uA	14mV	.064uA	10.9mV	.5uA
<b>.55V</b>	78.5mV	3.57uA	79.4mV	3.61uA	87.4mV	4uA
<b>.6V</b>	539mV	24.5mA	571mV	.03mA	600mV	27.27uA

## Analysis

## Conclusion