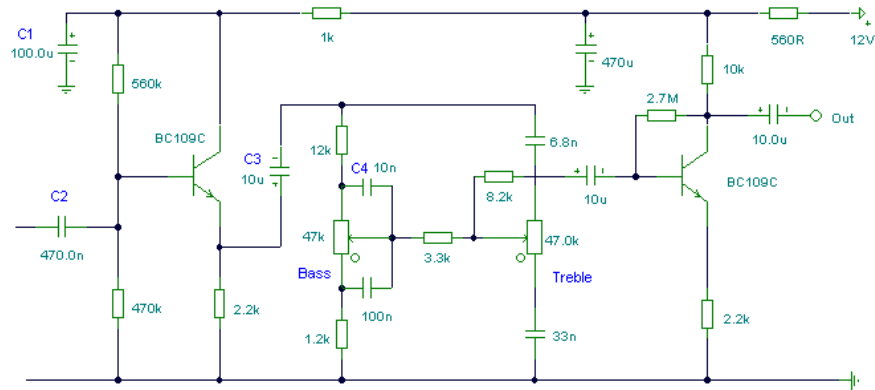


### Tone Control Circuit



(source: <http://www.mitedu.freemove.co.uk/Circuits/Audio/t-ctrl.htm>)

This circuit filters generalized frequency bandwidths given an arbitrary input audio signal. In analyzing this circuit, I intend to further understand how transistors are useful in audio filtering circuits.

In order to further understand how the circuit works, I will build and analyze the configuration by breaking down the transistor configurations used, how they affect the output of the filter, and why that configuration was chosen. I also hope to identify how it might be possible to extend the circuit for variable bandwidth filtering.